

GD-020-0636-20W

20W medium performance adjustable LED track spot light with integrated LED chip and dimmable driver.
Available in powder coated finish.
5-Years Warranty



1,903

LUMENS

20W

WATT

**3000K
4000K**

COLOUR

IP20

IP RATING

220-240V

AC

16/30/50°

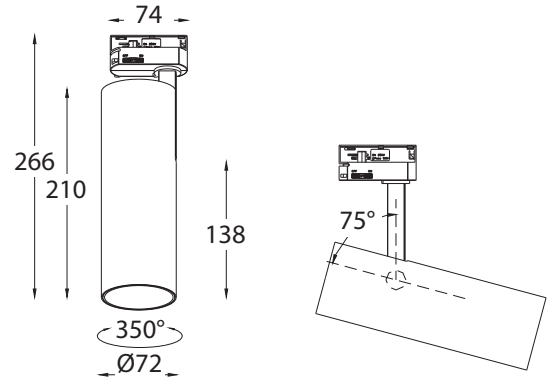
BEAM ANGLE

**5
YEARS**

WARRANTY

DIMMABLE

DIMMING



Model	IP Rating	Power (W)	Lumen Output (lm)	CCT	CRI	Beam Angle	Dimming	Dimensions	Mounting	Voltage	Fitting Colour
GD-010-0636-20W	IP20	20W	1,903lm	3000K 4000K	≥80	16° 30° 50°	Dimmable	Ø72x210 mm	Track	220-240V AC	Black White