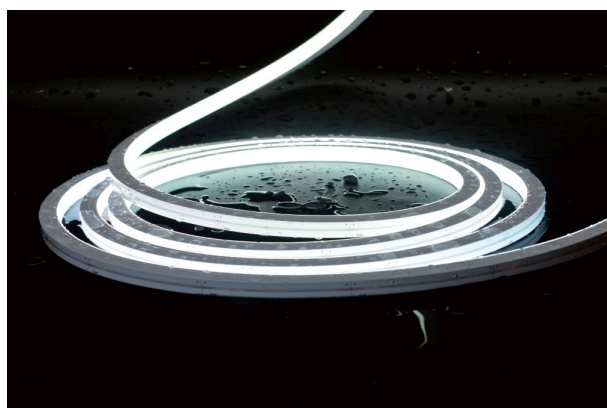


## LG-NMT1515 (TOP BEND)

- Multiple specifications optional. 24V, 5m/10m roll in length, white/ RGB/ LED strip.
- Silicone extrusion process, IP67 protection level, suitable architectural outdoor lighting etc.
- Resistant to hydrochloric, acid and alkali corrosion, flame retardant, UV resistant.



330lm/400lm  
430lm/430lm

LUMENS

9.6W/M  
12W/M

TYPICAL WATT

2200K/2700K  
3000K/4000K  
RGB

COLOUR

IP67

IP RATING

24V

DC

115°

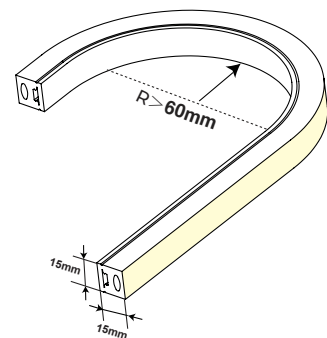
BEAM ANGLE

3  
YEARS

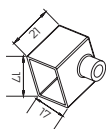
WARRANTY

OPTIONAL

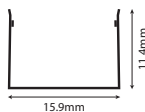
DIMMING



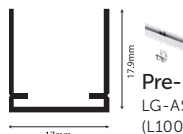
### Accessories



**End Cap Set**  
LG-AS-NMT1515GD0-EC  
(L17 x W17 x H21mm)



**Moldable Groove**  
LG-AS-FR-S1515A-005  
(L1000 x W15.9 x H11.4mm)



**Pre-Installed Al Carrier**  
LG-AS-FR-S1515A-004  
(L1000 x W17 x H17.9mm)



**AL Clip 95mm**  
LG-F16B-A009  
(L95 x W16 x H10.5mm)

IK08



SALTWATER  
RESISTANT



SOLVENT  
RESISTANT



UV  
RESISTANT



UL  
E498657



ROHS



Reach



CB



UK  
CA

Model	IP Rating	Typical Power (W/M)	Max Power (W/M)	Lumen Output (lm)	CCT	CRI	Beam Angle	Dimming	Cuttable (mm)	Dimensions	Voltage	Bend Radius
LG-NMT1515	IP67	9.6W/M	10.6W/M	330lm/M 400lm/M 430lm/M 430lm/M	2200K 2700K 3000K 4000K	≥90	115°	Optional	6LED 50mm	15x15mm	24V DC	≥60 mm
		12W/M	13.2W/M	/	RGB	/			7LED 83mm			