

## LG-MT-20R6155

IP20 Magnetic track 2 & 3m  
\*Accessories sold separately.

**3 CIRCUIT**

**2/3M**

**PC V0 FLAME  
RETARDANT**

LENGTH

MATERIALS

**IP20**

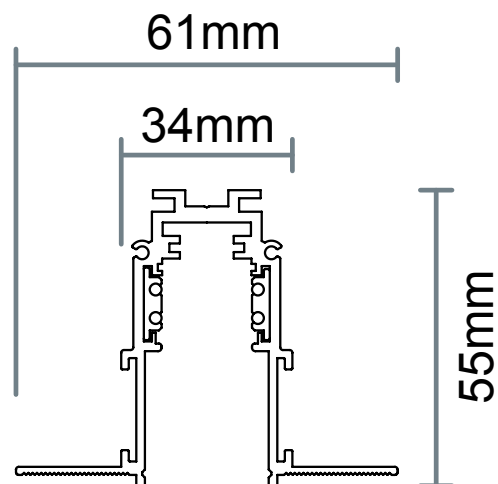
**BLACK**

**61x55mm**

IP RATING

LENGTH

DIMENSION



## ACCESSORIES FOR RAILS



L-joint 90°

LG-MT-20R6155-L90



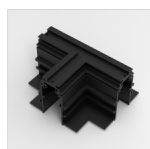
In corner

LG-MT-20R6155-N90



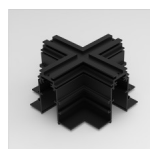
Out corner

LG-MT-20R6155-Y90



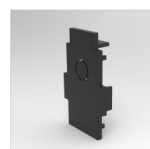
Surface buckle

LG-MT-20R6155-T90



M-Connect plate

LG-MT-20R6155-+90



End cap

LG-MT-20R-EC



L-Connect plate

LG-MT-20R-LM

## GENERAL ACCESSORIES



Corner connector module

LG-MT-20C-CC



Three-ways connection module

LG-MT-20C-CC2



I shape straight connection module

LG-MT-20C-IC



Conductive module (Input)

LG-MT-20C-IM05M  
LG-MT-20C-IM20M



Protective cover

LG-MT-20PC



Long driver module (Dimming)

LG-MT-20C-LA184



Short driver module (Non-Dim)

LG-MT-20C-LA112