

LG-MT-20R10354

IP20 Magnetic track 2 & 3m
*Accessories sold separately.

3 CIRCUIT

2/3M

**PC V0 FLAME
RETARDANT**

LENGTH

MATERIALS

IP20

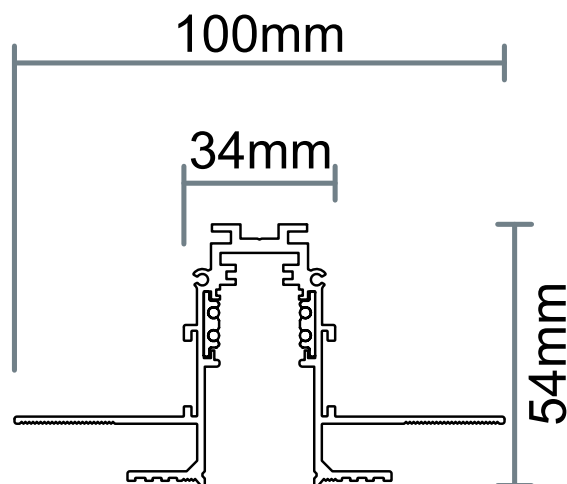
BLACK

100x54mm

IP RATING

LENGTH

DIMENSION

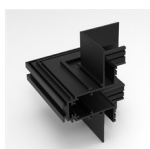


ACCESSORIES FOR RAILS



L-joint 90°

LG-MT-20R10354-L90



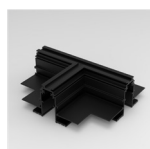
In corner

LG-MT-20R10354-N90



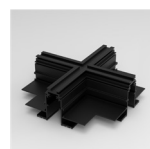
Out corner

LG-MT-20R10354-Y90



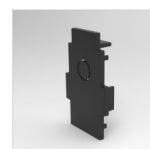
Surface buckle

LG-MT-20R10354-T90



M-Connect plate

LG-MT-20R10354-+90



End cap

LG-MT-20R-EC



L-Connect plate

LG-MT-20R-LM

GENERAL ACCESSORIES



Corner connector module

LG-MT-20C-CC



Three-ways connection module

LG-MT-20C-CC2



I shape straight connection module

LG-MT-20C-IC



Conductive module (Input)

LG-MT-20C-IM05M
LG-MT-20C-IM20M



Protective cover

LG-MT-20PC



Long driver module (Dimming)

LG-MT-20C-LA184



Short driver module (Non-Dim)

LG-MT-20C-LA112