

PL-CL010-11W

- IP20, 11W LED Surface mounted downlight.
- Manufactured from die-cast aluminium with powder coated finish.



820

LUMENS

11W

WATT

3000K

COLOUR

IP20

IP RATING

100-260V

AC

80°

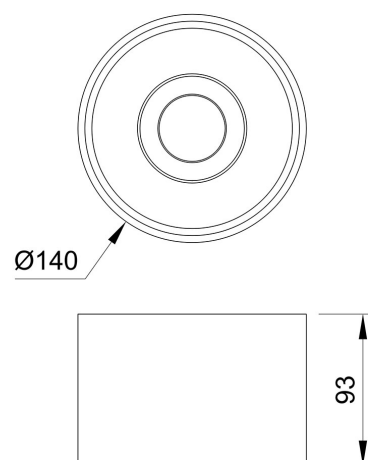
BEAM ANGLE

**5
YEARS**

WARRANTY

DIMMABLE

DIMMING



Model	IP Rating	Power (W)	Lumen Output (lm)	CCT	CRI	Beam Angle	Dimming	Dimensions	Voltage	Fitting Colour
PL-CL010-11W	IP20	11W	920lm	3000K	≥80	80°	Dimmable	Ø140x93mm	100-260V AC	Black White